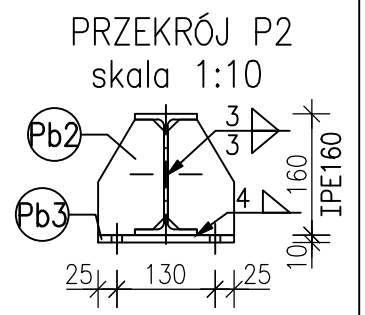


ZESTAWIENIE STALI

POZ.	NR ELEMENTU	NAMNA ELEMENTU	DLUGOŚĆ [mm]	GATUNEK STALI	LICZBA SZTUK POZ/RAZEM	MASA JEDN [kg/m]	MASA RAZEM [kg]	POLE RAZEM [m ²]
P	Pp2	IPE 160	8872	S355	8	15.80	1121.42	44.22
	Pb2	IPE 160	8872	S355	8	20.19	1121.42	44.22
	Pb3	IPE 160	8872	S355	8	22.43	179.44	6.88
	Pb4	IPE 160	8872	S355	8	16.82	134.56	5.12
	Pb12	IPE 160	8872	S355	8	1180.86	46.56	1.76
	Pb7	IPE 160	8872	S355	8	1180.86	46.56	1.76
	Pb1	IPE 160	8872	S355	8	1180.86	46.56	1.76
	Pb11	IPE 160	8872	S355	8	1180.86	46.56	1.76
	Pb13	IPE 160	8872	S355	8	1180.86	46.56	1.76
	Pb14	IPE 160	8872	S355	8	1180.86	46.56	1.76
	Pb15	IPE 160	8872	S355	8	1180.86	46.56	1.76
	Pb16	IPE 160	8872	S355	8	1180.86	46.56	1.76
	Pb17	IPE 160	8872	S355	8	1180.86	46.56	1.76
	Pb18	IPE 160	8872	S355	8	1180.86	46.56	1.76
	Pb19	IPE 160	8872	S355	8	1180.86	46.56	1.76
	Pb20	IPE 160	8872	S355	8	1180.86	46.56	1.76
	Pb21	IPE 160	8872	S355	8	1180.86	46.56	1.76
	Pb22	IPE 160	8872	S355	8	1180.86	46.56	1.76
	Pb23	IPE 160	8872	S355	8	1180.86	46.56	1.76
	Pb24	IPE 160	8872	S355	8	1180.86	46.56	1.76
	Pb25	IPE 160	8872	S355	8	1180.86	46.56	1.76
	Pb26	IPE 160	8872	S355	8	1180.86	46.56	1.76
	Pb27	IPE 160	8872	S355	8	1180.86	46.56	1.76
	Pb28	IPE 160	8872	S355	8	1180.86	46.56	1.76
	Pb29	IPE 160	8872	S355	8	1180.86	46.56	1.76
	Pb30	IPE 160	8872	S355	8	1180.86	46.56	1.76
	Pb31	IPE 160	8872	S355	8	1180.86	46.56	1.76
	Pb32	IPE 160	8872	S355	8	1180.86	46.56	1.76
	Pb33	IPE 160	8872	S355	8	1180.86	46.56	1.76
	Pb34	IPE 160	8872	S355	8	1180.86	46.56	1.76
	Pb35	IPE 160	8872	S355	8	1180.86	46.56	1.76
	Pb36	IPE 160	8872	S355	8	1180.86	46.56	1.76
	Pb37	IPE 160	8872	S355	8	1180.86	46.56	1.76
	Pb38	IPE 160	8872	S355	8	1180.86	46.56	1.76
	Pb39	IPE 160	8872	S355	8	1180.86	46.56	1.76
	Pb40	IPE 160	8872	S355	8	1180.86	46.56	1.76
	Pb41	IPE 160	8872	S355	8	1180.86	46.56	1.76
	Pb42	IPE 160	8872	S355	8	1180.86	46.56	1.76
	Pb43	IPE 160	8872	S355	8	1180.86	46.56	1.76
	Pb44	IPE 160	8872	S355	8	1180.86	46.56	1.76
	Pb45	IPE 160	8872	S355	8	1180.86	46.56	1.76
	Pb46	IPE 160	8872	S355	8	1180.86	46.56	1.76
	Pb47	IPE 160	8872	S355	8	1180.86	46.56	1.76
	Pb48	IPE 160	8872	S355	8	1180.86	46.56	1.76
	Pb49	IPE 160	8872	S355	8	1180.86	46.56	1.76
	Pb50	IPE 160	8872	S355	8	1180.86	46.56	1.76
	Pb51	IPE 160	8872	S355	8	1180.86	46.56	1.76
	Pb52	IPE 160	8872	S355	8	1180.86	46.56	1.76
	Pb53	IPE 160	8872	S355	8	1180.86	46.56	1.76
	Pb54	IPE 160	8872	S355	8	1180.86	46.56	1.76
	Pb55	IPE 160	8872	S355	8	1180.86	46.56	1.76
	Pb56	IPE 160	8872	S355	8	1180.86	46.56	1.76
	Pb57	IPE 160	8872	S355	8	1180.86	46.56	1.76
	Pb58	IPE 160	8872	S355	8	1180.86	46.56	1.76
	Pb59	IPE 160	8872	S355	8	1180.86	46.56	1.76
	Pb60	IPE 160	8872	S355	8	1180.86	46.56	1.76
	Pb61	IPE 160	8872	S355	8	1180.86	46.56	1.76
	Pb62	IPE 160	8872	S355	8	1180.86	46.56	1.76
	Pb63	IPE 160	8872	S355	8	1180.86	46.56	1.76
	Pb64	IPE 160	8872	S355	8	1180.86	46.56	1.76
	Pb65	IPE 160	8872	S355	8	1180.86	46.56	1.76
	Pb66	IPE 160	8872	S355	8	1180.86	46.56	1.76
	Pb67	IPE 160	8872	S355	8	1180.86	46.56	1.76
	Pb68	IPE 160	8872	S355	8	1180.86	46.56	1.76
	Pb69	IPE 160	8872	S355	8	1180.86	46.56	1.76
	Pb70	IPE 160	8872	S355	8	1180.86	46.56	1.76
	Pb71	IPE 160	8872	S355	8	1180.86	46.56	1.76
	Pb72	IPE 160	8872	S355	8	1180.86	46.56	1.76
	Pb73	IPE 160	8872	S355	8	1180.86	46.56	1.76
	Pb74	IPE 160	8872	S355	8	1180.86	46.56	1.76
	Pb75	IPE 160	8872	S355	8	1180.86	46.56	1.76
	Pb76	IPE 160	8872	S355	8	1180.86	46.56	1.76
	Pb77	IPE 160	8872	S355	8	1180.86	46.56	1.76
	Pb78	IPE 160	8872	S355	8	1180.86	46.56	1.76
	Pb79	IPE 160	8872	S355	8	1180.86	46.56	1.76
	Pb80	IPE 160	8872	S355	8	1180.86	46.56	1.76
	Pb81	IPE 160	8872	S355	8	1180.86	46.56	1.76
	Pb82	IPE 160	8872	S355	8	1180.86	46.56	1.76
	Pb83	IPE 160	8872	S355	8	1180.86	46.56	1.76
	Pb84	IPE 160	8872	S355	8	1180.86	46.56	1.76
	Pb85	IPE 160	8872	S355	8	1180.86	46.56	1.76
	Pb86	IPE 160	8872	S355	8	1180.86	46.56	1.76
	Pb87	IPE 160	8872	S355	8	1180.86	46.56	1.76
	Pb88	IPE 160	8872	S355	8	1180.86	46.56	1.76
	Pb89	IPE 160	8872	S355	8	1180.86	46.56	1.76
	Pb90	IPE 160	8872	S355	8	1180.86	46.56	1.76
	Pb91	IPE 160	8872	S355	8	1180.86	46.56	1.76
	Pb92	IPE 160	8872	S355	8	1180.86	46.56	1.76
	Pb93	IPE 160	8872	S355	8	1180.86	46.56	1.76
	Pb94	IPE 160	8872	S355	8	1180.86	46.56	1.76
	Pb95	IPE 160	8872	S355	8	1180.86	46.56	1.76
	Pb96	IPE 160	8872	S355	8	1180.86	46.56	1.76
	Pb97	IPE 160	8872	S355	8	1180.86	46.56	1.76
	Pb98	IPE 160	8872	S355	8	1180.86	46.56	1.76
	Pb99	IPE 160	8872	S355	8	1180.86	46.56	1.76
	Pb100	IPE 160	8872	S355	8	1180.86	46.56	1.76



PROJEKTOWANIE I NADZÓR BUDOWLANY "PRO-BUD"
77-400 ZŁOTÓW, ul.NORWIDA 7

TEMAT:	PŁATWIE STAŁOWE P2	
OBIEKT:	BUDOWA BUDYNKU GARAZOWEGO D1 ORAZ WIATY D2	BRANŻA: KONSTRUKCYJNA
ADRES:	77-400 ZŁOTÓW, UL.DOMAŃSKIEGO 48a	PROJEKT WYKONAWCZY
INWESTOR:	KP PSP W ZŁOTOWIE UL. DOMAŃSKIEGO 48a 77-400 ZŁOTÓW	SKALA: 1:20
PROJEKTANT KONSTRUKCJI:	mgr inż. GRZEGORZ WITKOWICZ UPR. BUD. NR EMD. 7131/120/P/2000	
OPRACOWAŁA:	mgr inż. ANNA SUCHOCKA	
DATA:	GRUDZIEŃ 2018	NR RYS. D.KS-2.2